

ZANUSSI

Microwave oven ZM 600

Operating instructions

Contents

Main features & Specifications	Page 3
Using the oven - Cookware	Page 3
Some tips on cooking	Page 3
Things to avoid	Page 4
Operation -Cooking	Page 5
How to use 'Cook-Defrost' switch	Page 6
Care & Cleaning	Page 6
Instructions for the installer	Page 7
Electrical connection	Page 7
Installation & Building-in	Page 8
Servicing & Spare Parts	Page 11

Important: the use of this new appliance is quite simple.

At any rate, to obtain the best results, it is recommended that you carefully read this handbook and follow all instructions prior to operating the appliance for the first time.

This handbook provides all necessary instructions for a correct installation, use and care of the appliance and also gives a number of useful hints.

Features

Main features

- Motor-driven turntable
- Power select switch for defrosting or cooking (200/600W)
- Cook-defrost recipe guide
- Oven lamp
- Bell to indicate end of cooking
- Easy-to-clean interior and exterior
- Double safety interlocks
- Inrush current limiter

Specifications

Power Source:	240 Volts A.C., 50Hz 3-wire grounded circuit
Power Consumption:	1200 Watts
Oscillating Frequency:	2450 MHz
Exterior Dimensions:	Height 35.7 cm Width 51.5 cm Depth 41.4 cm
Oven Dimensions:	Height 22.5 cm Width 34.0 cm Depth 34.0 cm
Weight:	27 kg

Using the oven

Cookware

As microwaves heat only the food, it is possible to serve in the same dish you used for cooking. The dish is warmed only slightly through the heat of food. You can cook in almost any type of ceramics except those with gold, silver or platinum decoration. However, it is recommended to use completely baked ceramic dishes.

Any heat-resistant cookware can be used. However, care should be taken when using fragile glassware since abrupt heating and cooling may break them.

Some plastics, such as melamine or urethane, are not recommended because microwaves may warp or crack them through heating by microwaves or conduction of heat from the food.

For further information, see your microwave cook book.

Some tips on cooking

The microwave oven cooks much faster than conventional ovens. You will have to rely more on the times than on the appearance because the food is cooked inside and out almost simultaneously. Check the food periodically until you become familiar with this modern way of cooking. Remember the cooking time may require adjusting according to your taste and because the food itself will vary in weight, tenderness and shape.

Things to avoid

1. Do not operate the unit when it is empty. When operated without food in it, the parts inside may be damaged. Do not obstruct the **Vent**.
2. Do not place capped bottles or food in vacuum-tight containers or sealed jars in the oven. They can explode when heated.
3. Do not cook eggs in the shell, or eggs which are not scrambled, or nuts in the shell.
4. Do not use metal cookware or dinnerware with metal trim. Arcing from the metal edges to the oven wall or between the metal edges can damage the parts inside the oven.
5. Do not wrap foods in aluminium foil as a general rule.
6. Do not use a meat thermometer to test food temperature when the unit is operating. Arcing may result.
7. Aluminium dishes should not be used.
8. Do not put excess weight on the floor. It can cause misalignment and result in improper operation.
9. Do not use an ungrounded receptacle.
10. Do not operate the unit without the gaffle. It may cause hazard to the user and the unit.
11. Do not remove the outer cabinet at any time.
12. Do not let anyone service the unit except an Authorized Serviceman.

13. Ensure that the tray is located correctly on the support on the base of the oven.

14. When the door, especially door seal area is damaged, stop using the oven and call our service department for repair.

Operation

Cooking

1. Open the door. Place the food to be cooked on a dish, then put it on the tray in the oven.

Do not operate the oven when empty.

2. Close the door. It latches automatically.

3. Set the timer, turning the knob clockwise to the required cooking duration.

Each number on the **recipe guide** represents minutes.

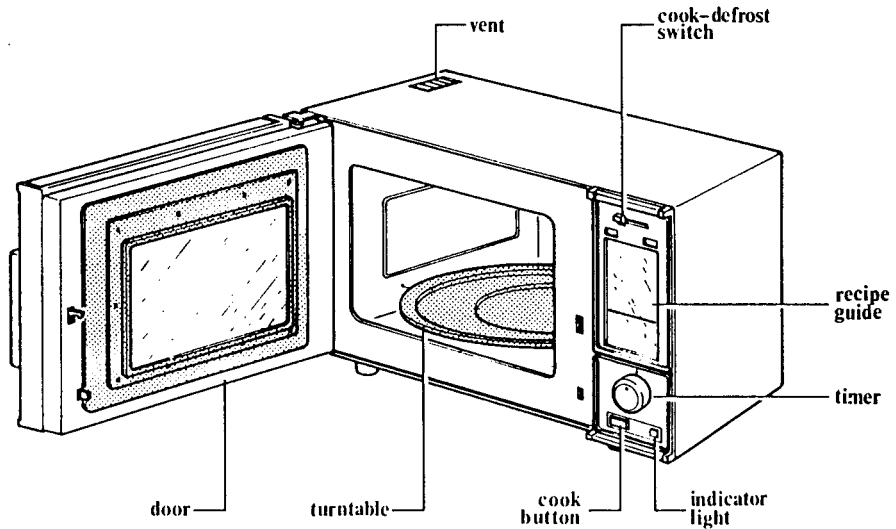
The timer can be reset during cooking if needed.

The timer pointer may be moved up or down, however, it is advisable to move the pointer slightly past the desired time and turn it back to ensure accurate timing.

4. Push the cook button. The fan will be heard running, the oven light will come on and the turntable will rotate.

The pointer of the timer moves back to '0', only when operating. When the timer pointer reaches '0', a bell will sound indicating that cooking is completed and cook lamp, oven light and power shut off automatically.

5. If you wish to turn or check the food during cooking, all you do is open the door, this automatically shuts off the microwave power and light. When you close the door and push the cook button again, cooking and timing resume where you left off.



How to use 'Cook-Defrost' switch

COOK: Move the 'cook-defrost' switch to the right for full cooking power.

DEFROST: Move the 'cook-defrost' switch to the left when you want to defrost or cooking eggs and delicate foods. The oven operates at a reduced power.

NOTE: Defrosting time varies with the freezer temperature at which the food was stored.

All timings shown on the recipe guide are approximate and can vary slightly, depending on the food's initial temperature, age, fat content, etc. Be sure to use the defrost power setting when cooking eggs other than those that are scrambled.

Eggs sometimes explode on 'cook'.

Care & Cleaning

It is easier to clean the microwave oven than a conventional unit as oven surfaces are flat and cool.

The daily cleaning procedure is as follows:

1. Make sure power is off.
2. Wipe the **turntable glass tray** and **baffle** with a cloth or sponge dampened in a mild detergent solution. **Never pour water into the oven.**
3. **Do not allow food particles or grease to remain on the baffle and turntable glass tray.** Wipe them frequently. A buildup of grease or food on them can result in damage to the materials as well as loss in cooking power.
4. Wipe all **oven surfaces, door back plate** and the **baffle** with the dampened cloth and then dry with a clean cloth.
5. **Do not use scouring pads, powders or other abrasive materials.**

Instructions for the installer

The following instructions are meant for a qualified installer and should assist him in carrying out all installation operations in the correct way and in accordance with existing laws and regulations.

Electrical connection

The microwave oven incorporates a standardized plug suitable for the load and voltage shown on the rating plate. If the appliance is to be connected directly to the electric network, it will be necessary to fit between the oven and the mains supply an omnipolar switch, having a minimum clearance between contacts of 3 mm, suitable for the load and conforming to the ruling standards.

The earth cable (green/yellow) should not be interrupted by this switch.

Warning: for reasons of safety it is strictly forbidden to remove the rear panel to gain access to the oven terminal board; any extension should only be made by using the standardized plug and the external cable, and it should be suitable to carry the expected load.

This appliance must be earthed.

Before the appliance is connected check that:

the fuse and the domestic installation are suitable to carry the electric load of this appliance (see the rating plate); the power supply is properly earthed according to existing rules and regulations;

the wall socket and the omnipolar switch used for the connection can easily be reached after the appliance is installed.

The manufacturers disclaim any responsibility should these safety instructions not be carried out.

If you are also building in an electric hob or a conventional oven at the same time, the microwave oven should have an entirely separate electrical connection, which is a must both for electrotechnical reasons and to ensure an easier frontal extractability of the microwave oven.

Important: after installation and electrical connection of the appliance, place the cable in such a way that it cannot at any point reach a temperature more than 50°C above the ambient temperature.

The length of the cable must make it possible, in the event of a service call, to extract the microwave oven from the kitchen cabinet and, also, to lay it down on a nearby surface without having to disconnect it from the electric supply. The electric supply cable, positioned behind the kitchen cabinet, must not be accessible without the use of tools and, furthermore, it must be protected against the possibility of mechanical damage as well as from humidity. If the cable is extra-long, the excess part should be coiled up neatly and arranged as explained above.

This appliance meets the requirements laid down in EEC Directive No.76/889 dated 4/11/1976 relating to the suppression of radio and TV interference.

Installation

The microwave oven can be installed, depending on the various requirements, in any one of the following ways:

- a) placed on top of a kitchen counter;
- b) built into a kitchen cabinet;
- c) built into a kitchen cabinet on top of a conventional oven.

Placed on top of a kitchen counter

If the microwave oven is placed on top of a kitchen counter no particular precautions are required, other than to leave the steam vents on top of the oven unobstructed.

If there are any overhanging kitchen furniture top units, make sure the clearance between the bottom of the top units and the microwave oven steam vents is at least 50 mm.

Building-in directions

Built into a kitchen cabinet

If the oven is built-in by itself (Fig.1) or on top of a conventional oven (Fig.2), the kitchen cabinet must have suitable characteristics and, in particular, it must have adequate vents for heat dissipation. The special venting grille-frame that comes with the appliance ensures an efficient circulation of air to cool the microwave oven. Detailed hereunder are the characteristics of the kitchen cabinet recess as well as the instructions for building-in and assembling the oven and the frame.

Characteristics of the kitchen cabinet recess

The kitchen cabinet recess must have the dimensions shown in Fig.3 . It is necessary, in order to permit an efficient ventilation, that the cabinet incorporate a venting chimney as shown in Fig.4; this chimney must have an air outlet cross section area of at least 220 sq.cms. If the kitchen cabinet or top unit extends all the way to the ceiling, it will be absolutely necessary to provide an adequate opening to allow air circulation. The kitchen cabinet must have a 50-mm round opening in the back to let the supply cable of the microwave oven through (A - Fig.3). The ceiling of the cabinet recess must be at least 50 mm above the steam vents on the top of the oven (Fig.4). Fig.4 shows the dimensions required for building-in the microwave oven as well as the dimensions required for building-in a conventional ZANUSSI oven.

Attention: the microwave oven can be combined with any type of conventional oven, provided the latter incorporates a cooling fan (Fig.4).

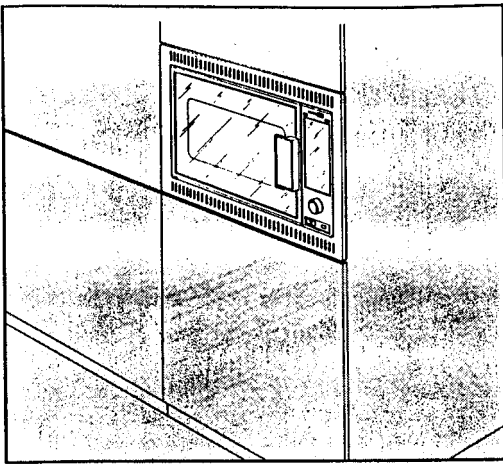


fig. 1

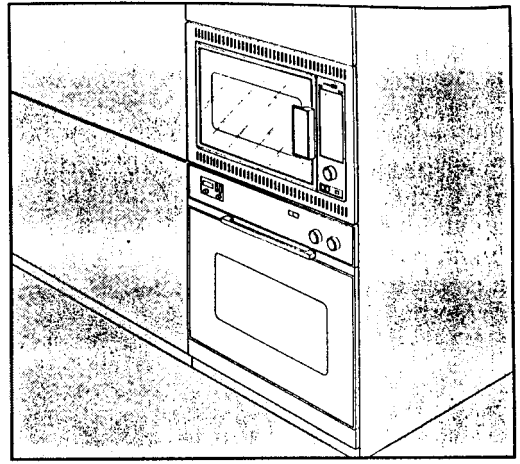


fig. 2

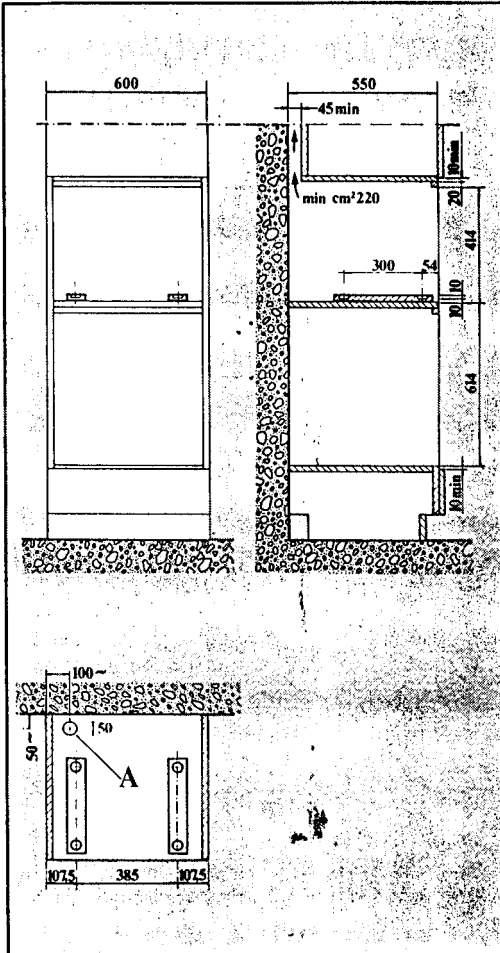


fig. 3

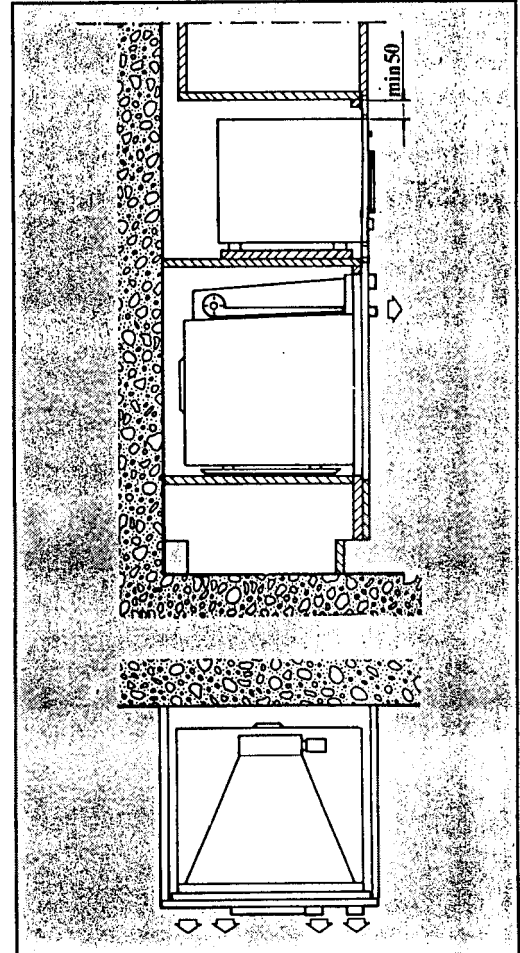


fig. 4

Fitting the venting grille-frame

After inserting the microwave oven into the cabinet recess, secure the frame to the cabinet by means of the screws that come with it, as shown in Fig.5. To ensure an efficient ventilation of the microwave oven, this frame features a top and bottom venting grille which should obviously not be obstructed if they are to perform their function correctly.

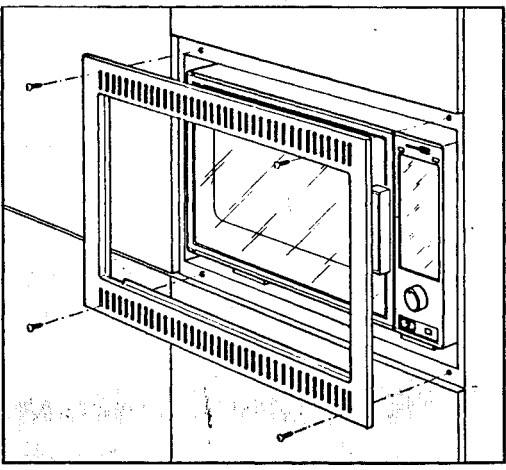


fig. 5

Servicing & Spare Parts

Prior to leaving the plant, this appliance was thoroughly tested and painstakingly calibrated by expert engineers so as to ensure the best possible performance.

If any servicing or adjustment should later become necessary, make sure this is carried out solely by qualified personnel.

For this reason, we strongly recommend that you always contact your local Dealer, who sold you the appliance, or our nearest Service Centre, detailing the type of malfunction and the model of appliance in your possession.

Furthermore, remember that original spare parts are only to be found at our Service Centres or authorized Dealers'.

ZANUSSI GUARANTEE CONDITIONS

This guarantee is in addition to your statutory and other legal rights which will not be excluded or in any way diminished by the return of the enclosed card.

We, IAZ International (UK) Ltd, guarantee that if within twelve months of the date of the purchase, this ZANUSSI appliance or any part thereof is proved to be defective by reason only of faulty workmanship or materials we will at our option repair or replace the same **FREE OF ANY CHARGE** for labour, materials or carriage on condition that:

- The appliance has been correctly installed and used only on the electricity supply stated on rating plate.
- The appliance has been used for normal domestic purposes and in accordance with the manufacturer's operating and maintenance instructions.
- The appliance has not been serviced, maintained, repaired, taken apart or tampered with by any person not authorised by us.

- The appliance is still in the possession of the original purchaser.
- Any appliance or defective part replaced shall become our property.

This guarantee does not cover any damage caused during transportation or the replacement of any light bulbs or removable parts of glass or plastic.

Should you require service on your Zanussi appliance consult the enclosed list for your nearest Zanussi network centre. If the product is under first year guarantee then you will be required to produce proof of date of purchase to the engineer. If it is under 5 year cover then you must show your cover card to the engineer.

Please ensure that the enclosed pre-addressed card is stamped, completed in full and forwarded to IAZ International (UK) Ltd, to enable the guarantee to be recorded. Also complete the space below as your own record of the guarantee.

GUARANTEE RECORD

Appliance purchased from _____ on _____

Guarantee card no _____ Model no _____

Serial no _____ (These details may be taken from your Guarantee Record Card)

Your name _____

Address _____
